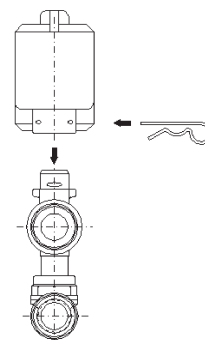


INSTALLATION

Installation

- 1) Line up the manoeuvre stem in the position of the servo-control manoeuvre joint.
- 2) insert the servo-control pushing it in the indicating direction.
- 3) insert the split pin in the hole.
- 4) make sure that the servo-control is correctly assembled.

The servo-control must be installed with the valves completely open. The servo-controls are supplied in the "open" position and can be installed on all the series of ITAP zone valves.



Art. 980/981 - 2 way zone valve

The servo control operates on the valve with a 90° rotation passing from the open position to the closed position. Figure 3.1 shows the two-way valve in the "open" position. Figure 3.2 shows the valve in a "closed" position. The screwdriver cut corresponds to the open position of the valve. To avoid increases in differential pressure in the systems using 2-way zone valves, it is recommended to fit a bypass between the output and input or to use pumps with variable speeds.

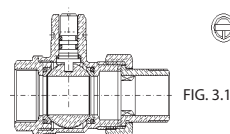


FIG. 3.1

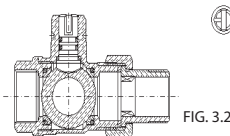


FIG. 3.2

Art. 982 - 3 way deviator valve

The 3-way deviator valve performs interception and deviation functions. It allows the fluid to enter from below and delivers it to the left or to the right according to the position of the servo control or vice-versa downwards from the right or the left.

Figure 4.1 shows the first case while Figure 4.2 shows the downward passage of the fluid from the right or left. Before mounting the servo control check that the manoeuvre stem is in the correct position.

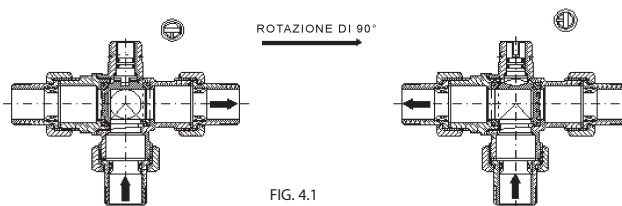


FIG. 4.1

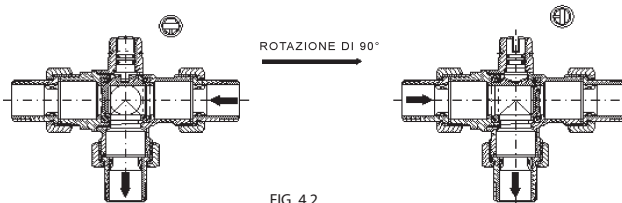


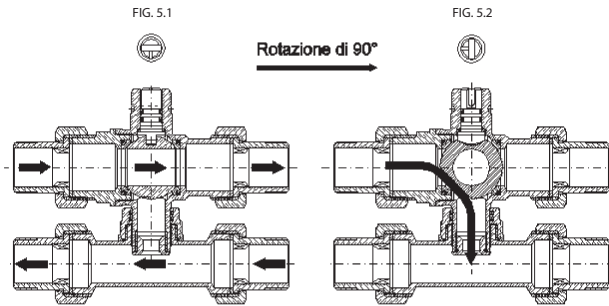
FIG. 4.2

Art. 986 - 4 way zone valve with bypass.

The 986 zone valve is ideal for systems where one wishes to avoid installing differential bypass valves to maintain the project pressure. This is possible thanks to the presence of a nozzle, calibrated to maintain the same loss in flow capacity that occurs when the valve is open.

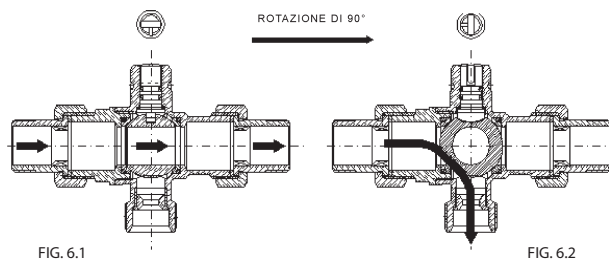
The screwdriver cut corresponds to the open position of the valve whilst the notch indicates the bypass position.

The 4-way version, with the varying centre distance between the valve unit and the T, from 49mm to 63mm for 3/4" valves and from 55mm to 63mm for 1" valves, can be connected to most coplanar manifolds.



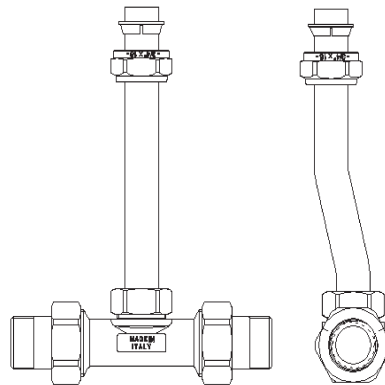
Art. 984 - 3 way zone bypass valves

The 3-way bypass zone valve performs the same interception and balancing function as the art. 986 valve but can be used in thermal control units and on linear manifolds. In particular, with the use of the kit, art. 988, it can be used in the ITAP metal boxes art. 498. The assembly instructions for the valve unit motor are similar for those indicated for art. 986.



Art. 988 - By-pass kit suitable for 3-way zone valves

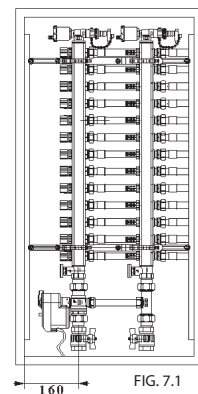
The bypass kit allows rapid and efficient installation of the zone valves (Art. 984) on the bar manifolds (Art. 850-860) in ITAP metal boxes (Art.498). Its geometry is designed to allow the necessary offset for the passage of the pipes to the upper manifold.



Warning

The servo control must never be mounted facing downwards.

When installing in metal boxes it is necessary to leave enough space above the servo control for the unblocking device manoeuvres and for eventual maintenances or replacements.



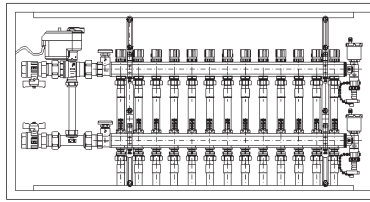


FIG. 7.2

To limit the overall dimensions, position the interception valves as illustrated in fig. 7.2,7.3

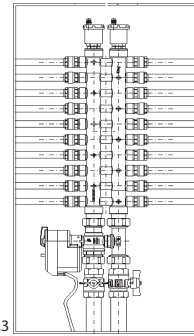


FIG. 7.3

To install art 896 in boxes it is necessary to correctly line up the pipes with the coplanar manifold to avoid excessive stress between the servo motor and the valve unit.

Safety

Attention! The high temperature of the thermo-vector fluid can cause serious damage to persons and things. Adopt all necessary preventive action!