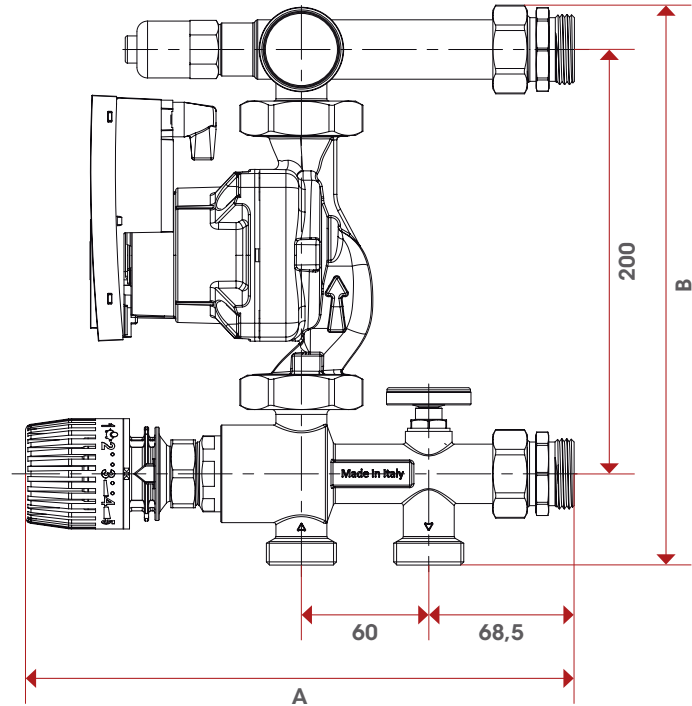
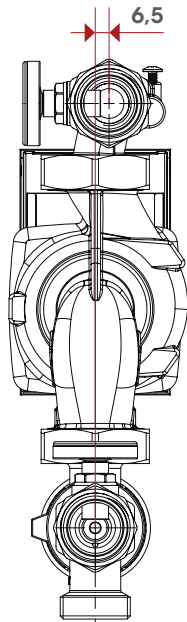


# 949CPF



|                        | 1"    |
|------------------------|-------|
| A                      | 258,5 |
| B                      | 264   |
| Kg/cm <sup>2</sup> bar | 6     |
| LBS - psi              | 87    |