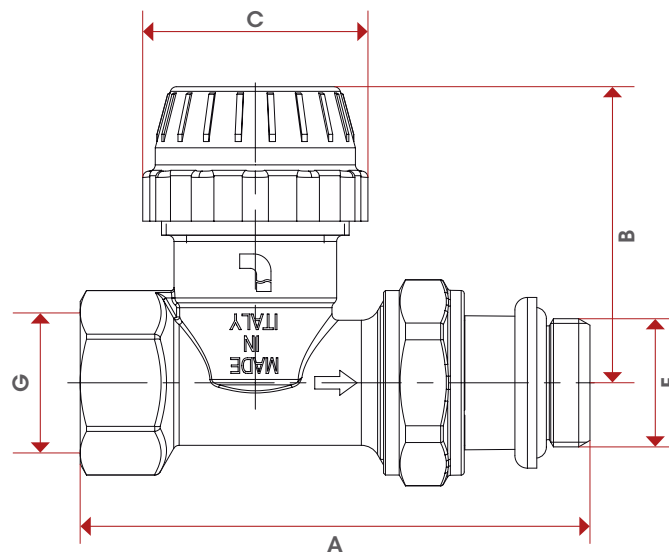


894CPS



	3/8"	1/2"	3/4"
DN	10	15	20
A	75	81,5	97,5
B	47,3	47,3	43,7
C	36	36	36
F	3/8"	1/2"	3/4"
G	3/8"	1/2"	3/4"
Kg/cm ² bar	10	10	10
LBS - psi	145	145	145