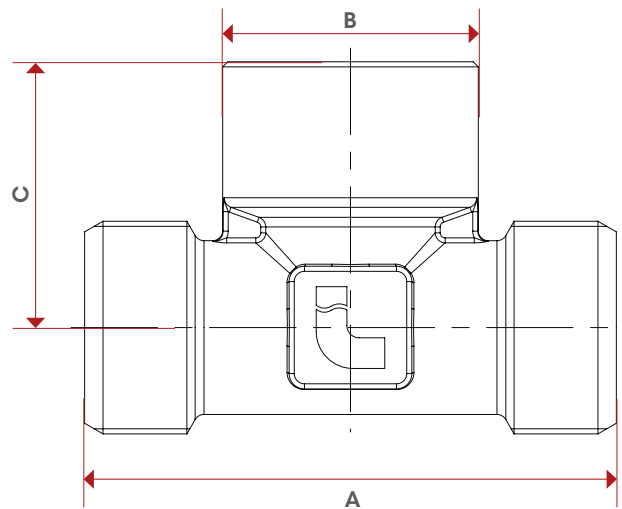


535



TEC



	1/2"	3/4"
A	52	64
B	26	31
C	25	32
Kg/cm ² bar	20	20
LBS - psi	290	290