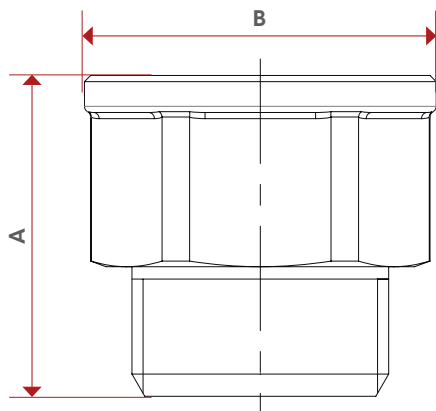


509



	1/2"x1/2"	1/2"x3/4"	3/4"x3/4"
A	26	28	30
B	27.5	33	33
Kg/cm ² bar	20	20	20
LBS - psi	290	290	290