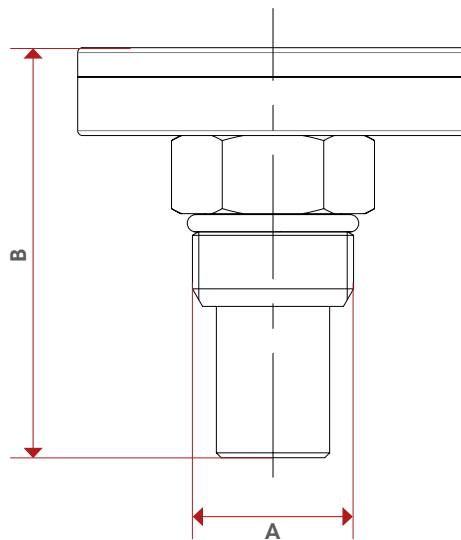


493



TEC



| | 3/8"x40 | 1/2"x40 | 1/2"x63 | 1/2"x80 |
|------------------------|---------|---------|---------|---------|
| A | 40 | 40 | 63 | 80 |
| B | 42 | 62,5 | 63 | 120 |
| Kg/cm ² bar | 10 | 10 | 10 | 10 |
| LBS - psi | 145 | 145 | 145 | 145 |