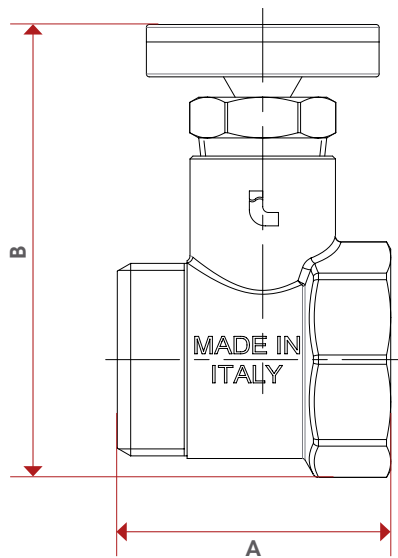


492C



TEC



	1"	1"1/4
A	47	48
B	78	83
Kg/cm ² bar	10	10
LBS - psi	145	145