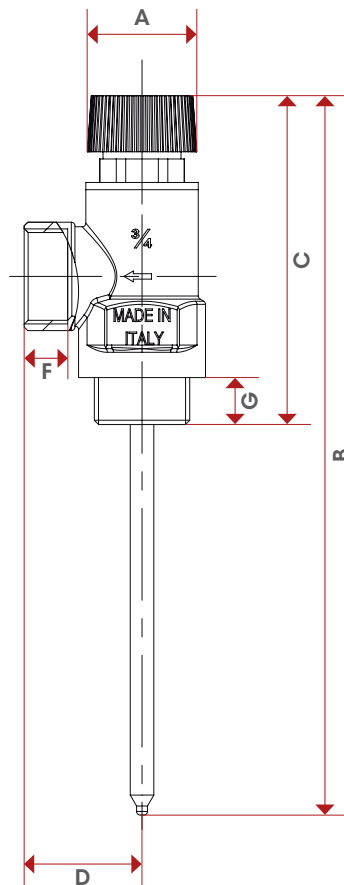


477



TEC



	3/4"
DN	20
A	30
B	180
C	90
D	35
F	11
G	13
Kg/cm ² bar	10
LBS - psi	145