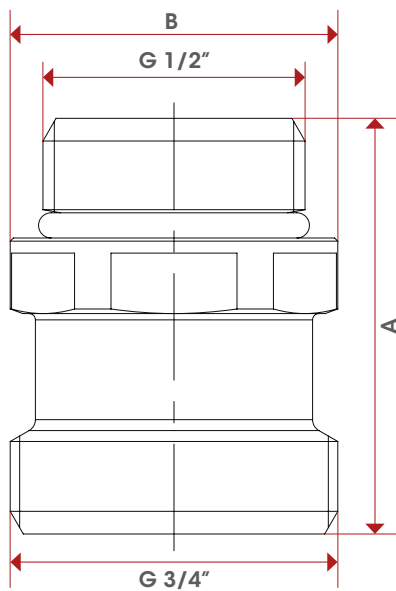


471



TEC



	1/2"x3/4"
A	33
B	26
Kg/cm² bar	20
LBS - psi	290