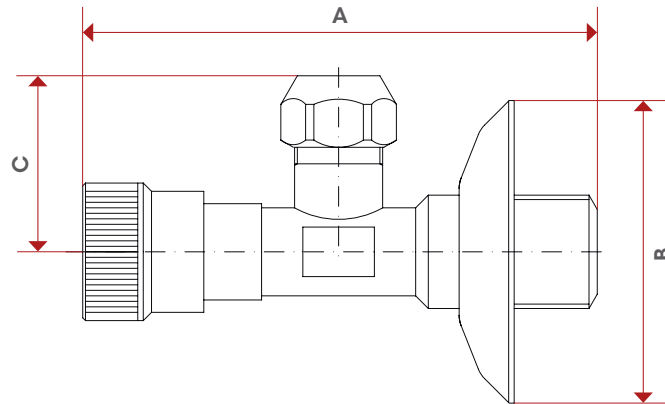


348



TEC



| | |
|------------------------|-------------|
| | 1/2" |
| A | 90 |
| B | 55 |
| C | 31 |
| Kg/cm ² bar | 8 |
| LBS - psi | 116 |