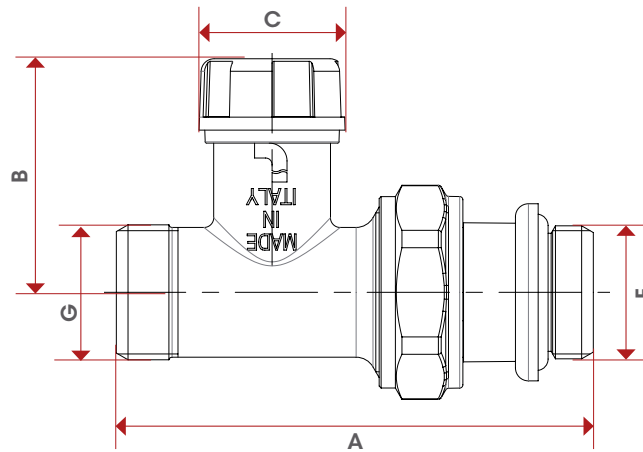


# 297S



TEC



	3/8"	1/2"
DN	10	15
A	72	73,5
B	36	36
C	22,5	22,5
F	3/8"	1/2"
G	3/8"	1/2"
Kg/cm <sup>2</sup> bar	10	10
LBS - psi	145	145