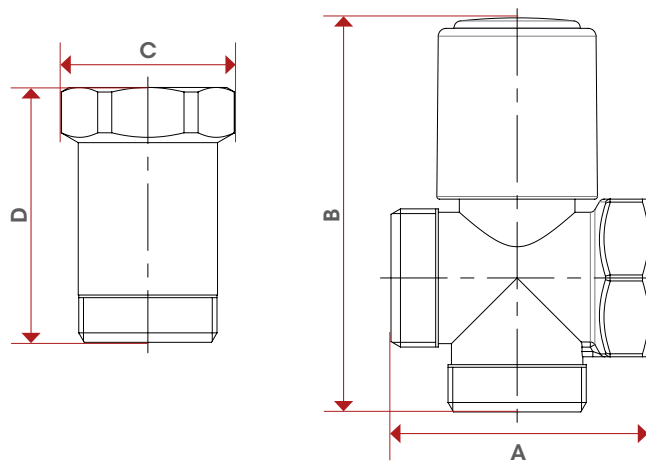


230



TEC



	1/2"
DN	15
A	49
B	75
C	33
D	48.5
Kg/cm ² bar	16
LBS - psi	232