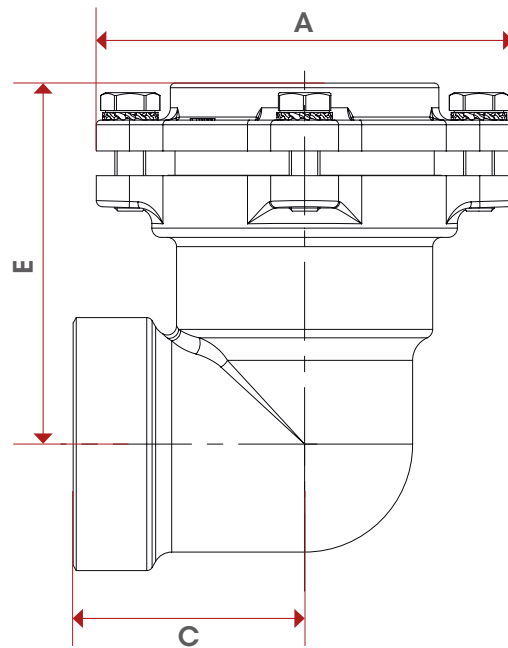


045FL



TEC



	2"1/2x75	3"x90	4"x110
DN	65	80	100
A	135	154	180
C	75	85	100
E	113	130	157